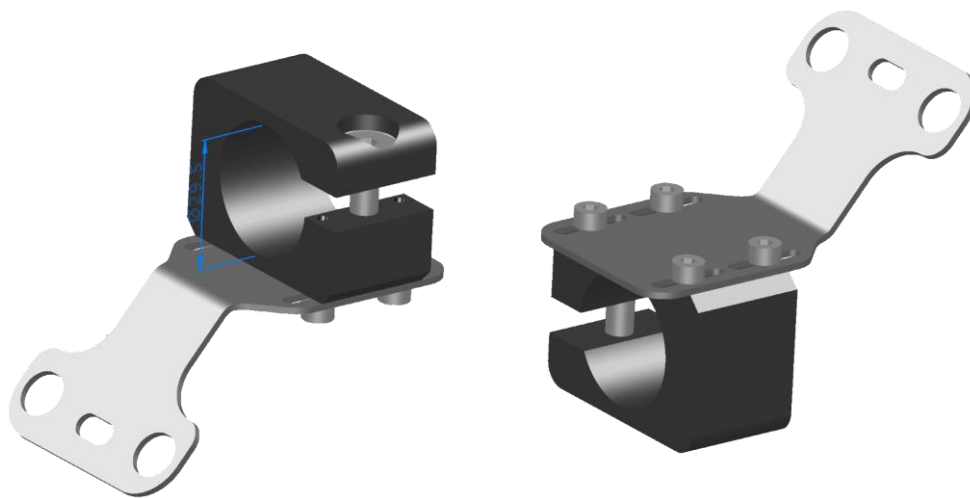


Helmet Mount Pro

Material Specifications

Clamp	Polyacetal POM
Bracket	Inox 216
Depth rating	250 m, 26 BAR
Weight	80g



Designed for 29.5mm GFI lights, fits most commercial diving helmets

