

## Heptastar 1800 TOS 10° P

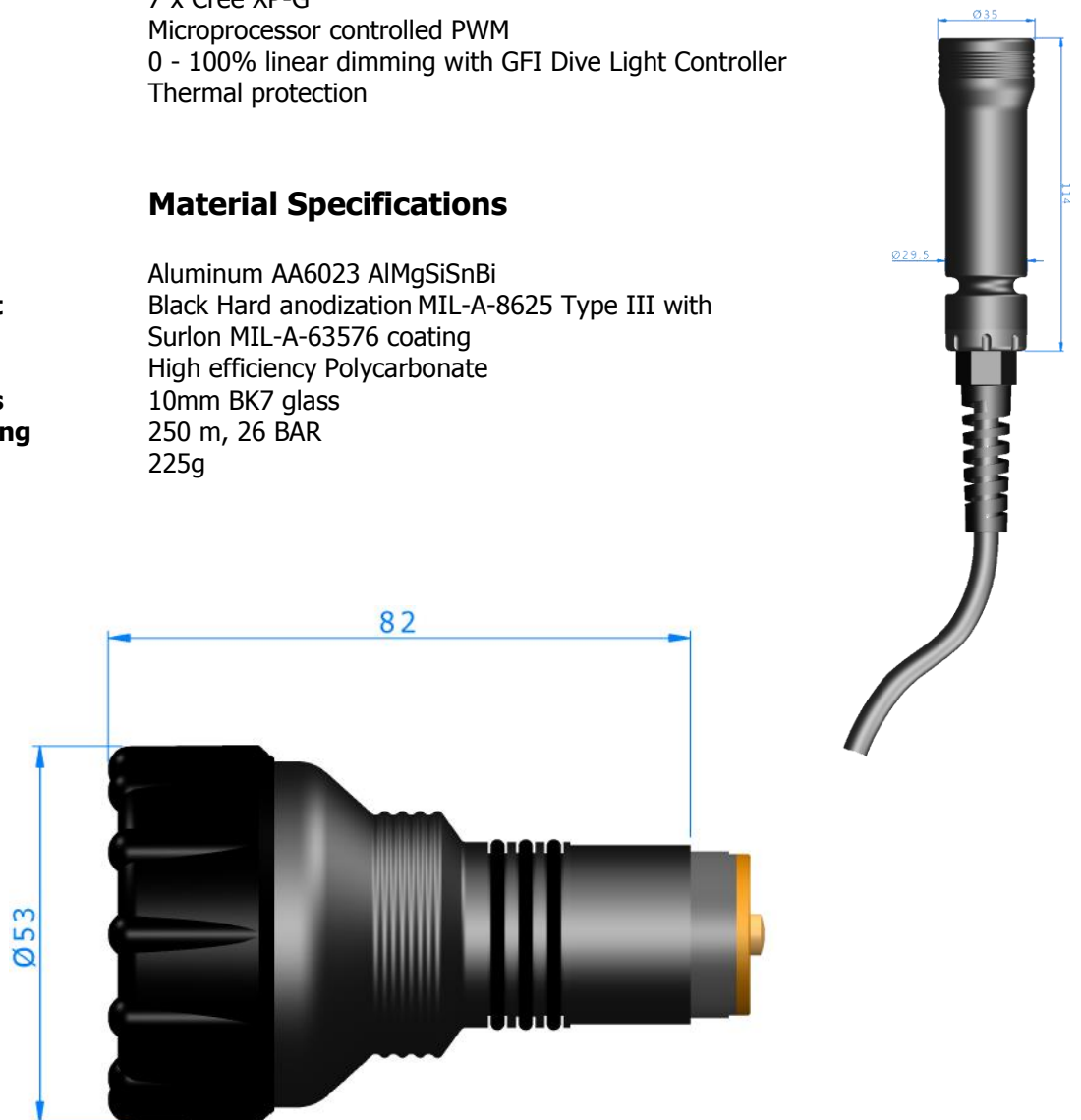


### Electrical Specifications

|                   |   |
|-------------------|---|
| <b>Voltage</b>    | 8V (0%) - 13V (100%)  |
| <b>Connection</b> | Triple O-ring Sealing Plug  |
| <b>Power</b>      | 21W @ full power  |
| <b>Emitter</b>    | 7 x Cree XP-G   |
| <b>Driver</b>     | Microprocessor controlled PWM<br>0 - 100% linear dimming with GFI Dive Light Controller<br>Thermal protection |

### Material Specifications

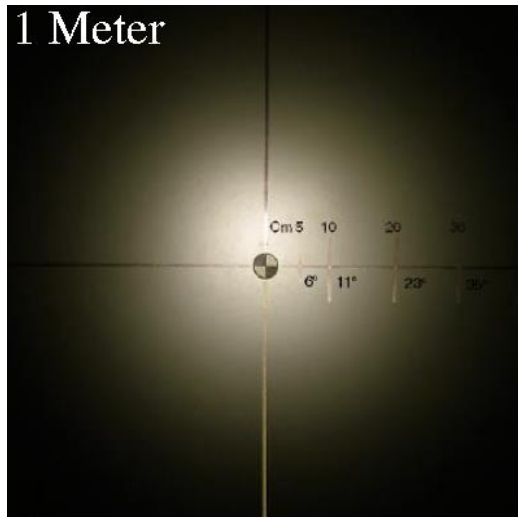
|                       |   |
|-----------------------|---|
| <b>Body Treatment</b> | Aluminum AA6023 AlMgSiSnBi<br>Black Hard anodization MIL-A-8625 Type III with<br>Surlon MIL-A-63576 coating |
| <b>Optics</b>         | High efficiency Polycarbonate   |
| <b>Front Lens</b>     | 10mm BK7 glass  |
| <b>Depth rating</b>   | 250 m, 26 BAR   |
| <b>Weight</b>         | 225g  |



## Optical Specifications

|                      |                  |
|----------------------|------------------|
| <b>Luminous Flux</b> | 1800 lumen @ 12V |
| <b>Illuminance</b>   | 8300 lux @ 1m    |
| <b>Beam Angle</b>    | 10°              |
| <b>Color</b>         | 5200K            |

### Beamshot



### Spectro Metric Analysis

