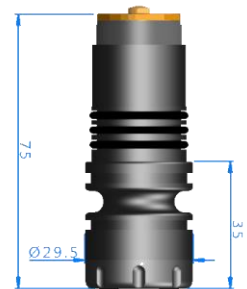


## Quadristar 900 UMB 10° B



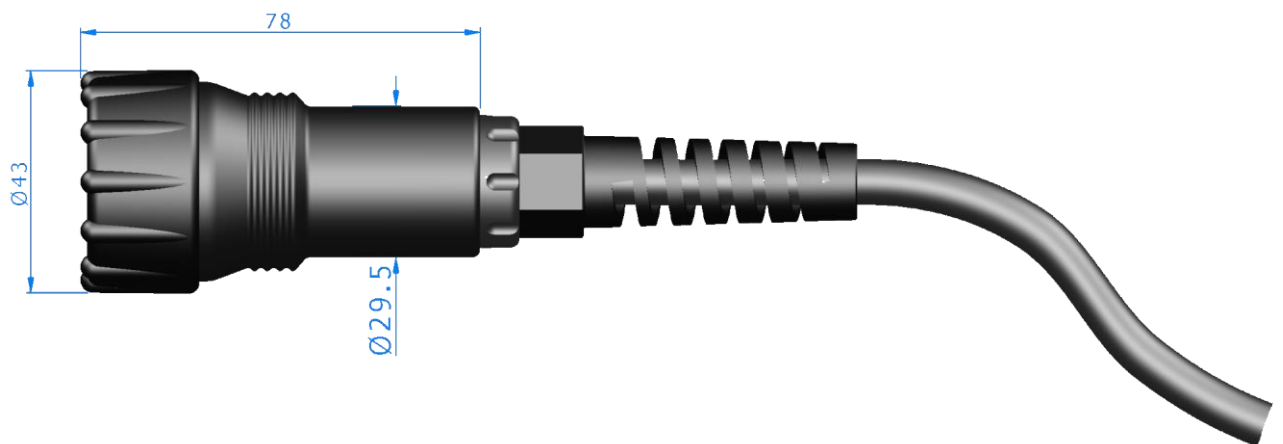
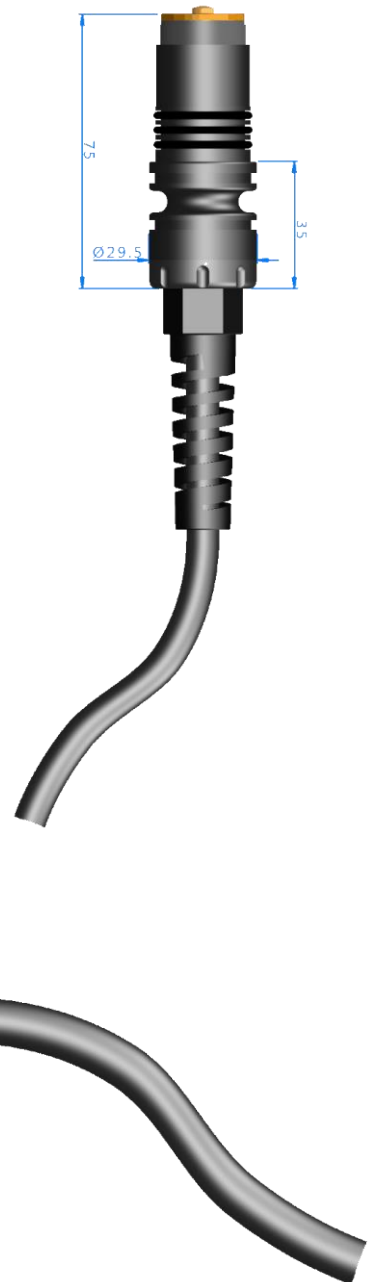
### Electrical Specifications

<b>Voltage</b>	4 - 15V	
<b>Connection</b>	1,3m umbilical ended with Triple O-ring Sealing Plug	
<b>Power</b>	14W @ 12V	
<b>Emitter</b>	4 x Cree XP-G	
<b>Driver</b>	Multi-voltage 4 - 15V Microprocessor controlled PWM 100% and 50% dimmable Thermal protection Battery deep discharge protection 'Bring Me Home' mode	
<b>Battery Burn Time</b>	GFI I 12V 2.1Ah	100min
	GFI II 12V 4.5Ah	200min
	GFI III 12V 9Ah	400min



### Material Specifications

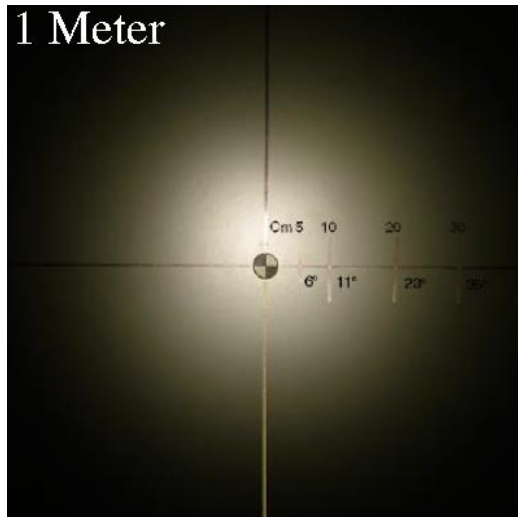
<b>Body</b>	Aluminum AA6023 AlMgSiSnBi
<b>Treatment</b>	Black Hard anodization MIL-A-8625 Type III with Surlon MIL-A-63576 coating
<b>Optics</b>	High efficiency Polycarbonate
<b>Front Lens</b>	10mm BK7 glass
<b>Depth rating</b>	250 m, 26 BAR
<b>Weight</b>	260g including cable and TOS plug



## Optical Specifications

<b>Luminous Flux</b>	900 lumen @ 12V
<b>Illuminance</b>	4850 lux @ 1m
<b>Beam Angle</b>	10°
<b>Color</b>	5200K

### Beamshot



### Spectro Metric Analysis

