

## Quadristar 900 UMB 40° P

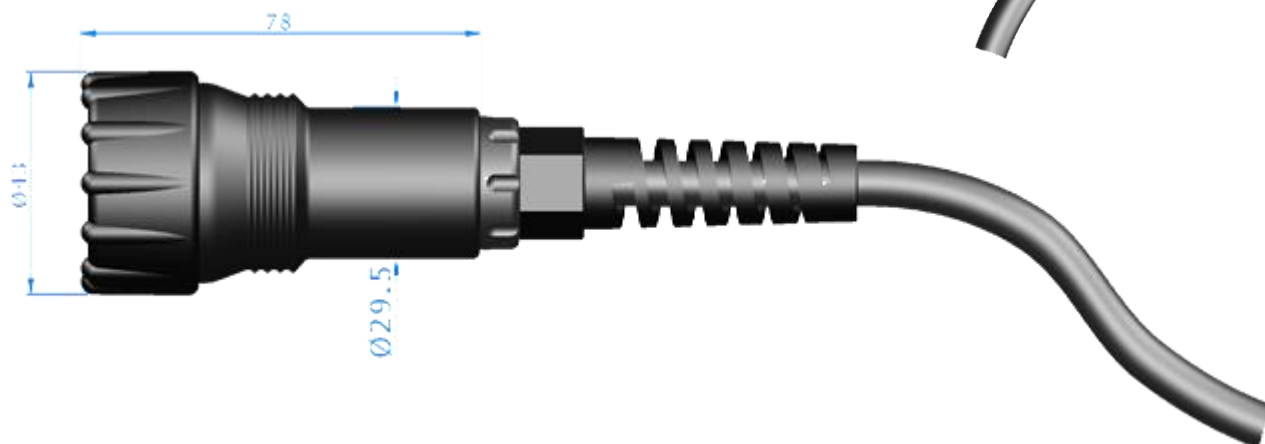


### Electrical Specifications

|                   |   |
|-------------------|---|
| <b>Voltage</b>    | 8V (0%) - 13V (100%)  |
| <b>Connection</b> | 1,3m umbilical ended with Triple O-ring Sealing Plug  |
| <b>Power</b>      | 14W @ full power  |
| <b>Emitter</b>    | 4 x Cree XP-G   |
| <b>Driver</b>     | Microprocessor controlled PWM<br>0 - 100% linear dimming with GFI Dive Light Controller<br>Thermal protection |

### Material Specifications

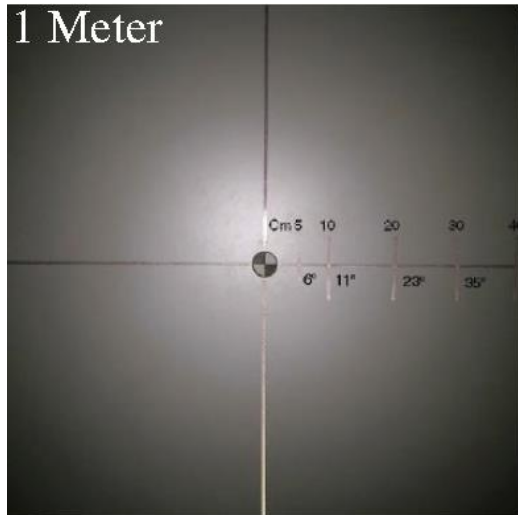
|                     |   |
|---------------------|---|
| <b>Body</b>         | Aluminum AA6023 AlMgSiSnBi  |
| <b>Treatment</b>    | Black Hard anodization MIL-A-8625 Type III with<br>Surlon MIL-A-63576 coating |
| <b>Optics</b>       | High efficiency Polycarbonate   |
| <b>Front Lens</b>   | 10mm BK7 glass  |
| <b>Depth rating</b> | 250 m, 26 BAR   |
| <b>Weight</b>       | 260g including cable and TOS plug   |



## Optical Specifications

|                      |                 |
|----------------------|-----------------|
| <b>Luminous Flux</b> | 900 lumen @ 12V |
| <b>Illuminance</b>   | 1550 lux @ 1m   |
| <b>Beam Angle</b>    | 40°             |
| <b>Color</b>         | 5200K           |

## Beamshot



## Spectro Metric Analysis

